



US006920433B1

(12) **United States Patent**
Seretti et al.

(10) **Patent No.:** **US 6,920,433 B1**
(45) **Date of Patent:** **Jul. 19, 2005**

(54) **VEHICULAR DATA EXCHANGE SYSTEM AND METHOD THEREFOR**

(76) Inventors: **Harry Seretti**, 115 Euclid Ave., McKees Rocks, PA (US) 15136; **Carl Schawkowitch**, 11700 Bishop's Content Rd., Mitchellville, MD (US) 20721

(*) Notice: Subject to any disclaimer, the term of this patent is extended or adjusted under 35 U.S.C. 154(b) by 945 days.

(21) Appl. No.: **09/370,935**

(22) Filed: **Aug. 9, 1999**

Related U.S. Application Data

(63) Continuation of application No. 08/885,175, filed on Jun. 30, 1997, now Pat. No. 5,978,776.

(51) **Int. Cl.**⁷ **G06F 16/70**

(52) **U.S. Cl.** **705/37; 705/26; 705/28**

(58) **Field of Search** **705/1, 26, 37, 705/3, 4, 28; 395/200; 707/3, 4, 10, 5, 6**

(56) **References Cited**

U.S. PATENT DOCUMENTS

3,573,747 A	4/1971	Adams et al.	705/37
3,581,072 A	5/1971	Nymeyer	705/37
4,789,928 A	12/1988	Fujisaki	705/37
5,136,501 A	8/1992	Silverman et al.	705/37
5,243,515 A	9/1993	Lee	705/37
5,521,815 A	5/1996	Rose, Jr.	
5,611,047 A	3/1997	Wakamiya et al.	
5,634,048 A *	5/1997	Ryu et al.	395/610
5,640,569 A	6/1997	Miller et al.	710/241

5,694,594 A *	12/1997	Chang	395/606
5,727,129 A *	3/1998	Barrett et al.	395/12
5,754,938 A *	5/1998	Herz et al.	455/4.2
5,758,328 A	5/1998	Giovannoli	
5,761,662 A *	6/1998	Dasan	707/10
5,774,873 A *	6/1998	Bernet et al.	705/26
5,796,952 A *	8/1998	Davis et al.	395/200.54
5,845,265 A	12/1998	Woolston	
5,893,091 A *	4/1999	Hunt et al.	707/3

* cited by examiner

Primary Examiner—Yehdega Retta

(57) **ABSTRACT**

The vehicular data exchange system of the present invention includes a plurality of computer terminals and a processor. Each of the computer terminals include an input device for inputting the vehicular data and a display device for visually displaying the inputted vehicular data which include vehicular characteristics data units and vehicular financial data units. The processor controls the vehicular data whereby the vehicular characteristics data units inputted into a first one of the computer terminals are transmitted to a plurality of other ones of the computer terminals for display on respective ones of the display devices associated with the other ones of the computer terminals. The processor also controls the vehicular data whereby vehicular financial data units inputted to at least a responding one of the other ones of the computer terminals in response to the vehicular characteristics data units displayed on the display device of the at least responding one of the other ones of the computer terminals are transmitted to the first one of the computer terminals for display on the display device associated with the first one of the computer terminals. A method of implementing the present invention is also described.

22 Claims, 4 Drawing Sheets

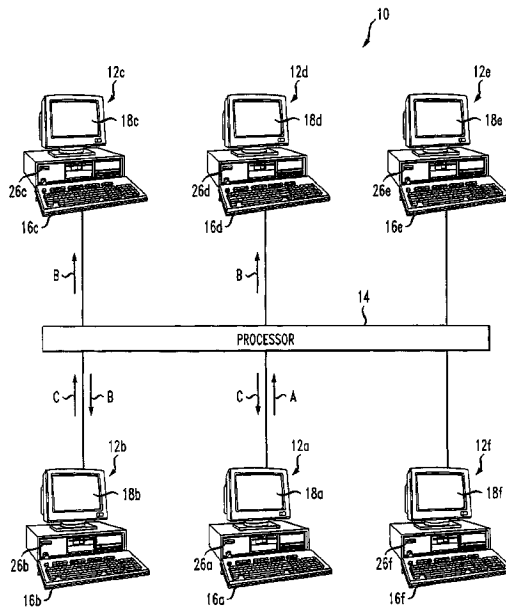


FIG. 1

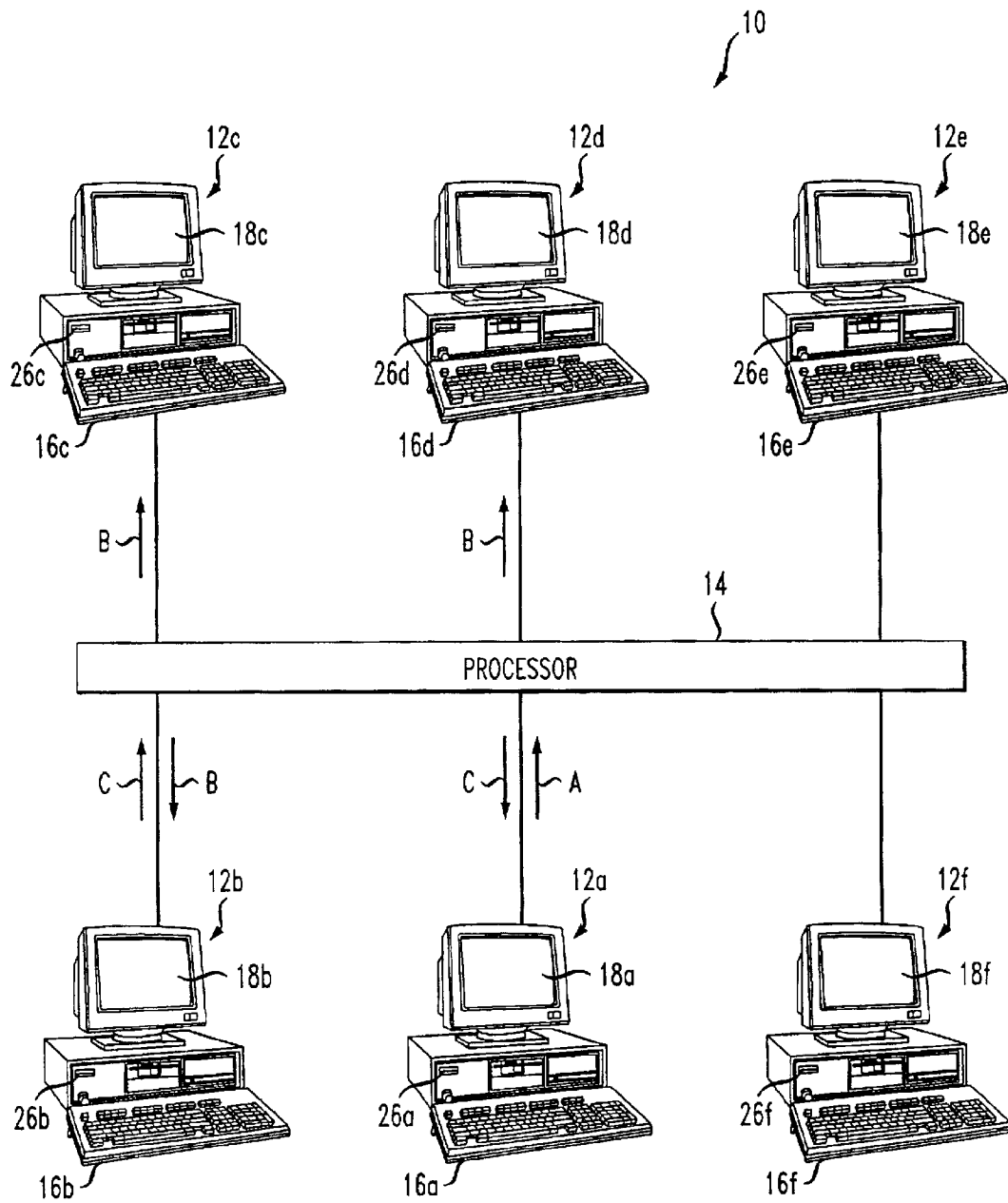


FIG. 2

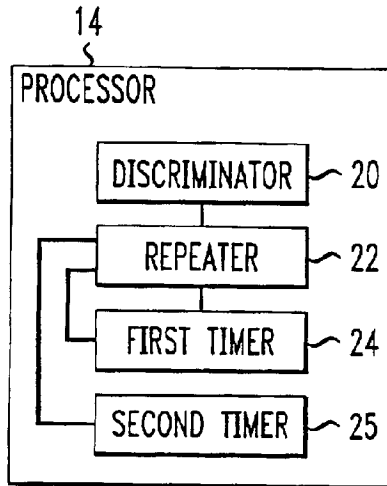


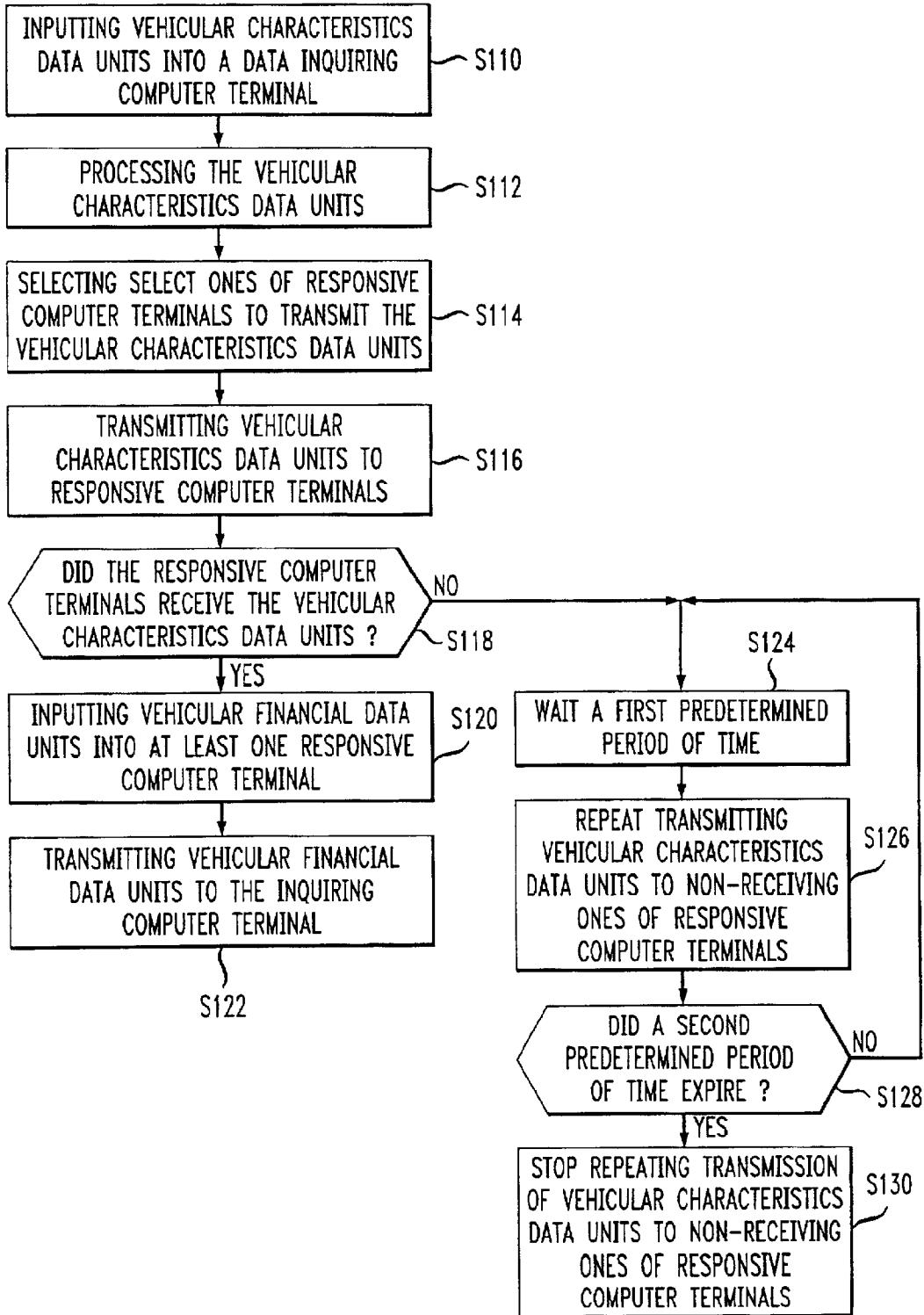
FIG. 3

ABC Auto Dealership	AUTO AUCTION ON-LINE SYSTEM Customer ID Number: ABCxxxxx
Request for Buy/Appraisal Figure for	
Vehicle Inventory Number: _____	Located in Zip Code: _____
Requested by: <u>(Time and Date)</u> and no Later Than: <u>(Time and Date)</u>	
Make: _____	Model: _____ Year: _____
Body Style: _____	Color _____ Int. _____ Ext. _____
Mileage: _____	Vin#: _____
Engine: _____	Condition of Glass: _____
General Condition: _____ Clean _____ Average _____ Rough	
Condition of Tires: _____ New _____ Greater Than 50% _____ Less Than 50%	
Other Equipment: _____	
Remarks: _____	

FIG. 4

XYZ Auto Dealership Contact: _____	AUTO AUCTION ON-LINE SYSTEM Customer ID Number: XYZxxxxx at (999) 999-9999
Request for Buy/Appraisal Figure for	
Vehicle Inventory Number: _____ Located in Zip Code: _____	
Requested by: (Time and Date) and no Later Than: (Time and Date)	
Make: _____ Model: _____ Year: _____	
Body Style: _____ Color _____ Int. _____ Ext. _____	
Mileage: _____ Vin#: _____	
Engine: _____ Condition of Glass: _____	
General Condition: _____ Clean _____ Average _____ Rough _____	
Condition of Tires: _____ New _____ Greater Than 50% _____ Less Than 50% _____	
Other Equipment: _____	
Remarks: _____	
Response to Request for Buy/Appraisal Figure for	
Vehicle Inventory Number: _____ Located in Zip Code Area: _____	
Our Firm Buy Figure is _____	
Our Appraisal Figure is _____	
Our Firm Buy Figure is Conditional Upon Satisfactory Inspection of the Vehicle at Our Sole Discretion	

FIG. 5



1

VEHICULAR DATA EXCHANGE SYSTEM AND METHOD THEREFOR

This is a Continuation of application Ser. No. 08/885,175 filed Jun. 30, 1997, now U.S. Pat. No. 5,978,776.

FIELD OF THE INVENTION

The present invention is related to a vehicular data exchange system. More particularly, the present invention is directed to vehicular data exchange system so that users of the vehicular data exchange system can, within a brief time period, simply and easily exchange vehicle data with one another for the purposes of buying and selling motor vehicles and/or obtaining appraisal data for motor vehicles.

BACKGROUND OF THE INVENTION

In order to better serve a prospective automobile buyer, both new and used selling car dealers often must be willing to accept a trade-in vehicle from the prospective buyer or risk losing that prospective buyer to a competitor. Unfortunately, some trade-in vehicles are a particular make and model that are unfamiliar to the selling car dealer. To provide the prospective buyer with a trade-in value, the selling car dealer must either guess at an appropriate trade-in value of the trade-in vehicle, ascertain a general value of the trade-in vehicle as published in a "blue book" or contact a competitor which is familiar with the value of that type of make, model and year of the vehicle.

Each of these options has drawbacks for the selling car dealer. Guessing at the value of the trade-in vehicle usually results in one of two outcomes. Either too high of a value afforded to the trade-in vehicle results in loss of income to the dealer or too low of a value discourages the prospective customer who might shop for a new vehicle elsewhere. The "blue book" provides only a generalized value of the trade-in vehicle. Also, a subscription to the current "blue book" is expensive and the "blue book" becomes obsolete within a short period of time. Contacting a competitor is time consuming and often frustrating because even if the competitor extends the courtesy of returning a telephone call to provide an appropriate trade-in value figure, it might be hours or even days after the prospective customer has already left the selling dealer's premises. Further, the competitor is typically providing only his best estimate of the trade-in value of the trade-in vehicle and not often is the competitor interested in tendering a buy figure for the purpose of purchasing the trade-in vehicle from the selling dealer.

After the selling dealer sells the customer a new or used car, the trade-in vehicle can either be placed on the used or "pre-owned" car lot of the selling dealer for resale, taken and sold at an automobile auction or sold to an automobile wholesaler. When the trade-in vehicle fails to sell within a set period of time, for example, ninety (90) days, the selling dealer would most likely remove the vehicle from the used car lot and either deliver it to an automobile auction or sell it to a wholesaler to maintain a fresh inventory of used cars. Typically, the wholesaler dictates the purchase price of the trade-in vehicle which the wholesaler is willing to pay. Sometimes this results in a financial loss to the selling dealer.

Occasionally, an unscrupulous used car manager might accept monetary "kickbacks" from a wholesaler for selling car lot vehicles unwanted by the selling dealer to the wholesaler at an exceptionally low price. Such an exceptionally low price results in further financial loss to the selling dealer.

2

There is a need in the automobile sales industry to provide a vehicle exchange system whereby a selling dealer can rapidly and conveniently sell or obtain sales price information on used or trade-in motor vehicles. It would be beneficial if a prospective customer of the selling dealer remains on the premises while bids or sales price information are being solicited and obtained from other automobile dealers. There is also a need in the automobile sales industry to provide a vehicle data exchange system whereby users to the vehicle data exchange system can rapidly and conveniently provide a firm buy figure to the selling dealer offering the trade-in vehicle of the prospective customer. It would be beneficial to selling dealers to minimize the use of automobile wholesalers in order to obtain the maximum dollar amount for the trade-in vehicle from those users of the vehicular data exchange system.

OBJECTS AND SUMMARY OF THE INVENTION

It is an object of the invention to provide a vehicular data exchange system so that users to the vehicular data exchange system can exchange vehicle data with one another for the purposes of buying and selling motor vehicles and/or obtaining appraisal data information for motor vehicles.

It is another object of the present invention to provide a vehicular data exchange system so that users thereto can quickly and conveniently exchange vehicle characteristics data and vehicle sales price data.

Yet another object of the present invention is to provide a vehicular data exchange system whereby vehicular data can be exchanged within a time period during which a prospective customer of the selling dealer remains on the premises.

A still further object of the present invention is to provide a vehicular data exchange system that could minimize or even eliminate the use of automobile wholesalers.

Yet another object of the present invention is to provide a vehicular data exchange system which would yield firm buy figures from other automotive dealers within minutes from the time the vehicular characteristics data are disseminated from a selling dealer.

A still further object of the present invention is to provide a vehicular data exchange system capable of transmitting vehicular characteristics data units such as make, model and year of the vehicle to only those users interested in receiving such data.

Yet still further, another object of the present invention is to provide a vehicular data exchange system that requires a minimum of time and a minimum of effort for a user to input vehicular data into the system.

Accordingly, a vehicular data exchange system of the present invention which is adapted for use to exchange vehicular data relating to a vehicle is hereinafter described. In its broadest form, the vehicular data exchange system includes a plurality of computer terminals and a processor. Each of the computer terminals includes an input device for inputting the vehicular data and a display device for visually displaying the inputted vehicular data. The vehicular data includes vehicular characteristics data units such as make, model and year of a vehicle and vehicular financial data units such a buy figure or appraisal figure.

The processor controls the vehicular data whereby the vehicular characteristics data units inputted into a first one of the computer terminals are transmitted to a plurality of other ones of the computer terminals for display on respective ones of the display devices associated with the other ones of

3

the computer terminals. The processor also controls the vehicular data whereby vehicular financial data units inputted to at least a responding one of the other ones of the computer terminals in response to the vehicular characteristics data units displayed on the display device of the at least responding one of the other ones of the computer terminals are transmitted to the first one of the computer terminals for display on the display device associated with the first one of the computer terminals.

The present invention also is a method of exchanging vehicular data of a vehicle. The method of the present invention includes inputting vehicular characteristics data units of the vehicle into a data inquiring computer terminal, processing the vehicular characteristics data units by transmitting the vehicular characteristics data units to a plurality of responsive computer terminals for display thereon, inputting vehicular financial data units into at least one of the plurality of data responsive computer terminals in response to the vehicular characteristics data received by the responsive computer terminals and transmitting the vehicular financial data units to the inquiring computer terminal for display on the inquiring computer terminal.

The method of the present invention also includes the processing the vehicular characteristics data units by selecting select ones of the plurality of the data responsive computer terminals to which the vehicular characteristics data units are transmitted. The method also includes repeating transmission of the vehicular characteristics data units to the select ones of the plurality of responding computer terminals until the select ones of the data responding computer terminals receive the vehicular characteristics data units. The method of the present invention includes repeating transmission of the vehicular characteristics data units to the select ones of the plurality of responding computer terminals which occurs upon expiration of a first predetermined period of time and stopping the repeating step upon expiration of a second predetermined period of time which is longer than the first predetermined period of time.

These and other objects of the present invention will become more readily appreciated and understood from consideration of the following detailed description of the exemplary embodiments of the present invention when taken in conjunction with the accompanying drawings, in which:

BRIEF DESCRIPTION OF THE DRAWINGS

FIG. 1 is a schematic diagram of a vehicular data exchange system of the present invention;

FIG. 2 is a schematic diagram of a processor for controlling exchange of vehicular data by employing the vehicular data exchange system of the present invention;

FIG. 3 is a sample display screen shown on a display device of the vehicular data exchange system of the present invention formatted for requesting a buy/appraisal figure for a vehicle with vehicular characteristics data units listed thereon;

FIG. 4 is a sample display screen shown on the display device of the vehicular data exchange system of the present invention formatted for responding to the requested buy/appraisal figure for the vehicle with vehicular characteristics data units listed thereon; and

FIG. 5 is a flow chart illustrating how the vehicular data exchange system of the present invention operates.

DETAILED DESCRIPTION OF THE PREFERRED EMBODIMENT

A vehicular data exchange system **10** of the present invention is generally introduced in FIGS. 1-5 and includes

4

computer hardware and software. The vehicular data exchange system **10** is adapted for use to exchange vehicular data, as more particularly described below, relating to a vehicle such as an automobile, a truck, a motorcycle, an earth moving vehicle, a boat, an airplane or the like. However, the vehicular exchange data system of the present invention shall be described, by way of example only, for exchanging vehicular data for vehicles typically sold at automobile dealerships. It would be understood by a skilled artisan that each automobile dealership would be electronically connected to the vehicular data exchange system by a computer terminal.

With reference to FIG. 1, the vehicular data exchange system **10** of the present invention includes a plurality of computer terminals **12a-12f** and a processor **14**. One of ordinary skill in the art would appreciate that the computer terminals **12a-12f** represent an entire network of many computer terminals. Each of the computer terminals **12a-12f** include an input device **16** shown, by way of example, as a computer keyboard for inputting the vehicular data into the vehicular data exchange system **10** and a display device **18**, commonly known as a computer monitor, for visually displaying the vehicular data inputted into the plurality of computer terminals **12a-12f**. Therefore, the computer terminals **12a-12f** are associated with respective ones of input devices **16a-16f** and display devices **18a-18f**. Generally, the vehicular data include vehicular characteristics data units and vehicular financial data units as discussed below.

The processor **14** controls the vehicular data that is inputted into the computer terminals **12a-12f**. An illustration of the operation of the vehicular data exchange system **10** of the present invention is best shown in FIG. 1 by viewing the arrows which represent the vehicular data. The vehicular characteristics data units are inputted into a first one of the computer terminals **12a** by the input device **16a** and are thereafter transmitted to the processor **14** as represented by arrow "A". From the processor **14**, the vehicular characteristics data units represented by arrows "B" are then transmitted to a plurality of other ones of the computer terminals **12b-12d** for display on respective ones of the display devices **18b-18d** that are associated with the other ones of the computer terminals **12b-12d**.

Thereafter, vehicular financial data units are inputted to at least one responding one of the other ones of the computer terminals **12b** in response to the vehicular characteristics data units displayed on the display device **18b** of the at least responding one of the other ones of the computer terminals **12b-12d**. The vehicular financial data units represented by arrow "C" are transmitted through the processor **14** and to the first one of the computer terminals **12a** for display on the display device **18a** associated with the first one of the computer terminals **12a**.

As noted, only certain other computer terminals **12b-12d** received the vehicular characteristics data units while the computer terminals **12e-12f** did not receive the vehicular characteristics data units. This is because a discriminator **20** is included in the vehicular data exchange system **10** of the present invention as shown in FIG. 2. The discriminator **20** operates to select only certain ones of the other ones of the plurality of computer terminals **12b-12f** to which the vehicular characteristics data units are to be transmitted. Having the discriminator **20** incorporated into the vehicular data exchange system **10** of the present invention permits automobile dealerships to receive only vehicular characteristics data units for vehicles in which they have an interest. Thus, automobile dealerships that have no interest in purchasing certain vehicles or no expertise in providing assess-

5

ment data for certain vehicles will not receive vehicular characteristics data units for such vehicles. Therefore, the automobile dealerships that use the vehicular data exchange system **10** of the present invention will not waste any time or resources reviewing the display device for undesirable vehicular characteristics data units but will invest some time only for those vehicles with interesting vehicular characteristics data units.

In FIG. 2, the processor **14** of the vehicular data exchange system **10** of the present invention also includes a repeater **22**. The repeater **22** is operative in conjunction with the discriminator **20** to repeat transmission of the vehicular characteristics data units to the selected ones of the other computer terminals until the selected ones of the computer terminals receive the vehicular characteristics data units. It is possible that one or more of the computer terminals are busy either receiving or inputting data and, therefore, no vehicular characteristics data units are capable of being transmitted to the busy ones of the computer terminals. The repeater **22** then permits the vehicular characteristics data units to be transmitted at least one more time to the previously busy computer terminal.

Also shown in FIG. 2, the processor **14** includes a first timer **24** that is operative in conjunction with the repeater **22**. The first timer **24** times a first predetermined time period. Upon expiration of the first predetermined time period, the repeater **22** causes the processor **14** to again attempt to transmit the vehicular characteristics data units to those computer terminals that were previously busy and did not receive the vehicular characteristics data units. It is possible that some of the previously busy computer terminals remain busy even after another attempt is made to send the vehicular data characteristics units thereto. The first timer **24** resets to time another first predetermined time period and, upon expiration of the first reset predetermined time period, another attempt is made to transmit the vehicular characteristics data units to those previously busy computer terminals. The first timer can be set in such a manner that the repeater can repeat the repeating process as often desired. It is preferred that the first predetermined time period is in a range between 3 and 5 minutes.

However, to limit the repeating process of the repeater **22**, the processor **14** includes a second timer **26**. The second timer **26** is operably connected to the processor **24** and times a second predetermined time period. The second predetermined time period is longer than the first predetermined time period. Upon expiration of the second predetermined time period, the repeater **22** is rendered inoperative and, therefore, regardless of the interest of one or more automobile dealerships in receiving vehicular characteristics data units, no further attempts at retransmitting these particular vehicular characteristics data units will be made. The second predetermined expiration time period can be any time desired by a skilled artisan. However, an optimum predetermined expiration time period can be in a range between 15 minutes to one hour after first attempting the transmission. This predetermined expiration time period is considered optimum because a prospective automobile customer with a trade-in vehicle would, most likely, remain on an automobile dealer's premises for this time period. It is beneficial to the automobile dealership seeking vehicular financial data units from other dealerships receive the same during the time period during which the prospective customer remains on the premises. Once the prospective customer leaves the premises, any vehicular financial data units has minimal value.

One of ordinary skill in the art would comprehend that most computer terminals include a speaker which broadcasts

6

various sounds driven by appropriate software. The vehicular data exchange system **10** of the present invention includes an alarm device **26** which operates in conjunction with the speaker to generate sound. The alarm device is operative to alert an operator of the other ones of the plurality of computer terminals that vehicular characteristics data units are received and available for display on the display device. Further, the alarm could also be a video alarm that displays, for example, indicia on the display device **18**.

FIG. 3 illustrates a sample display screen **28** entitled "Request for Buy/Appraisal Figure" and shown on the display device **18** of the vehicular data exchange system **10** of the present invention. The sample display screen **28** is formatted for requesting a buy/appraisal figure for a vehicle with vehicular characteristics data units mentioned thereon. The vehicular characteristics data units include a make, a model, a year and a general description of the vehicle. Although not by way of limitation, the description of the vehicle includes a body style of the vehicle, a color of both interior and exterior of the vehicle, an amount of mileage indicated on an odometer of the vehicle and a general condition of the vehicle with ratings of clean, average or rough. Other vehicular characteristics data units are vehicle identification number, i.e. VIN #, location of the vehicle, engine size and type, general condition of the vehicle, condition of the tires. Also, blank space appears on the sample data display screen **28** to write other types of vehicular characteristics data unit including but not limited to other equipment and remarks.

FIG. 4 is a second sample display screen entitled "Response to Request for Buy/Appraisal Figure" and shown on the display device of the vehicular data exchange system of the present invention formatted for responding to the requested buy/appraisal figure for the vehicle with vehicular characteristics data units listed thereon. The vehicular financial data units of the vehicle include a firm buy figure from the responding automobile dealership which is interested in purchasing the vehicle. Alternatively, the vehicular financial data units of the vehicle include an appraisal figure which indicates to the requesting automobile dealer a fair market value of the vehicle. A skilled artisan would appreciate that other financial data units such as a bid price amount, an assessment price amount, a wholesale price amount, and a retail price amount could also be provided on the second sample display screen. Also, the requesting automobile dealership knows which automobile dealership responded to the request. Now, the requesting automobile dealership can call the telephone number of the responding automobile dealership and speak to the contact who is also listed on the second sample display screen to arrange the consummation of the buy and sale of the trade-in vehicle. Thus, the vehicular financial data units of the vehicle further include information also identify a source of vehicular financial data units that were transmitted in response to the request.

With reference to FIG. 5, implementing the vehicular data exchange system **10** of the present invention is a software program that includes steps of a method of exchanging vehicular data of a vehicle. Step **S110** of the method of the present invention is inputting vehicular characteristics data units of the vehicle into a data inquiring computer terminal. Step **S112** is processing the vehicular characteristics data units and step **114** is selecting select ones of responsive computer terminals to transmit the vehicular characteristics data units. Step **118** determines if the responsive computer terminals receive the vehicular characteristics data units. If it is determined that the responsive computer terminals

receive the vehicular characteristics data units, then step S120 is implemented. Step S120 is inputting vehicular financial data units into at least one responsive computer terminal. Step S122 is transmitting the vehicular financial data units to the inquiring computer terminal.

If it is determined that the responsive computer terminals did not receive the vehicular characteristics data units, then step S124, waiting for a first predetermined period of time, is implemented. After expiration of the first predetermined period of time, step S126 is repeating transmission of the vehicular characteristics data units to the non-receiving ones of the responsive computer terminals. Thereafter, it is determined by step S128 whether a second predetermined period of time has expired. If the second predetermined period of time has not expired, then steps S124 and S126 are repeated. If the second predetermined period of time has expired, step S130 is executed which stops repeating the transmission of vehicular characteristics data units to non-receiving ones of the responsive computer terminals.

The vehicular data exchange system enables automobile dealers to quickly and conveniently exchange vehicle characteristics data and vehicle sales price data of a trade-in vehicle within a time period during which a prospective customer of the selling dealer remains on the premises. Cooperating automobile dealers could minimize or even eliminate the use of automobile wholesalers by using the vehicular data exchange system. The vehicular data exchange system would provide firm buy figures from other automotive dealers within minutes from the time the vehicular characteristics data are disseminated from a selling dealer. To eliminate computer clutter and wasting automobile dealership resources, the vehicular data exchange system transmits vehicular characteristics data units such as make, model and year of the vehicle to only those automobile dealers interested in receiving such data. Use of the vehicular data exchange system requires only a minimum of time and effort for all automobile dealers to buy and sell trade-in or inventory vehicles.

Accordingly, the present invention has been described with some degree of particularity directed to the preferred embodiment of the present invention. It should be appreciated, though, that the present invention is defined by the following claims construed in light of the prior art so that modifications or changes may be made to the preferred embodiment of the present invention without departing from the inventive concepts contained herein.

We claim:

1. A vehicular data exchange system adapted for use to exchange vehicular data relating to a vehicle, comprising:

a plurality of computer terminals, each of said computer terminals including an input device for inputting the vehicular data that includes vehicular characteristics data units and vehicular financial data units and a display device for visually displaying the vehicular data inputted into said plurality of computer terminals, each of said computer terminals operative to transmit to each other and receive from one another both the vehicular characteristics data units and the vehicular financial data units for display on respective display devices; and a processor in communication with said plurality of computer terminals for controlling the vehicular data wherein the vehicular characteristics data units are inputted at any time into any selected one of said computer terminals and are transmitted immediately thereafter to remaining ones of said computer terminals for display on respective ones of said display devices associated with said remaining ones of said computer terminals and

wherein the vehicular financial data units are inputted into at least a responding one of said remaining ones of said computer terminals in response to the vehicular characteristics data units displayed on said display device of said at least responding one of said remaining ones of said computer terminals and are transmitted to said selected one of said computer terminals for display on said display device associated with said selected one of the computer terminals.

2. A vehicular data exchange system according to claim 1, further comprising a discriminator for choosing specific ones of said remaining ones of said plurality of computer terminals to which the vehicular characteristics data units are transmitted.

3. A vehicular data exchange system according to claim 1, wherein the vehicular characteristics data units include a make, a model and a year of the vehicle.

4. A vehicular data exchange system according to claim 3, wherein the vehicular characteristics data units include a description of the vehicle.

5. A vehicular data exchange system according to claim 4, wherein the description of the vehicle includes at least one of a body type of the vehicle, a color of the vehicle, an amount of mileage displayed on an odometer of the vehicle and a general condition of the vehicle.

6. A vehicular data exchange system according to claim 1, wherein the vehicular financial data units of the vehicle include at least one of a bid price amount, an assessment price amount, a wholesale price amount, and a retail price amount.

7. A vehicular data exchange system according to claim 1, wherein the vehicular financial data units of the vehicle further include information identifying a source of vehicular financial data units transmitted.

8. A method of exchanging vehicular data of a vehicle, comprising the steps of:

providing at least three computer terminals, each of the at least three computer terminals having a display device, the at least three computer terminals operative to transmit to each other and receive from one another the vehicular data for display on respective display devices;

selecting any one of the at least three computer terminals as a data inquiring computer terminal;

deeming the remaining ones of the at least three computer terminals as data responsive computer terminals;

inputting vehicular characteristics data units of the vehicle at any time into the data inquiring computer terminal for display on its display device;

processing the vehicular characteristics data units immediately after inputting the vehicular characteristics data units by transmitting the vehicular characteristics data units to the data responsive computer terminals for display thereon;

inputting the vehicular financial data units into at least one of the data responsive computer terminals for display on its display device in response to the vehicular characteristics data received by the data responsive computer terminals; and

transmitting the vehicular financial data units immediately after inputting the vehicular financial data units to said inquiring computer terminal for display on the display device of said inquiring computer terminal.

9. A method according to claim 8, wherein the step of processing the vehicular characteristics data units includes selecting select ones of said plurality of said data responsive

computer terminals to which the vehicular characteristics data units are transmitted.

10. A method according to claim 8, wherein the vehicular characteristics data units include a make, a model and a year of the vehicle.

11. A method according to claim 8, wherein the vehicular characteristics data units include a description of the vehicle.

12. A method according to claim 8, wherein the vehicular financial data units of the vehicle include at least one of a bid price amount, an assessment price amount, a wholesale price amount, and a retail price amount.

13. A method according to claim 12, wherein the vehicular financial data units of the vehicle include identifying information identifying a source of each data responsive computer terminal transmitting the vehicular financial data units.

14. A vehicular data exchange system according to claim 1, wherein the vehicular financial data units include an identity of a responding vehicle dealership.

15. A vehicular data exchange system according to claim 1, wherein each of said computer terminals is a personal computer.

16. A vehicular data exchange system adapted for use to exchange vehicular data relating to a vehicle, comprising:

- a plurality of computer terminals, each of said computer terminals including an input device for inputting the vehicular data that includes vehicular characteristics data units and vehicular financial data units and a display device for visually displaying the vehicular data inputted into said plurality of computer terminals, each of said computer terminals operative to transmit to each other and receive from one another both the vehicular characteristics data units and the vehicular financial data units for display on respective display devices; and
- a processor in communication with the plurality of computer terminals for controlling the vehicular data wherein

the vehicular characteristics data units are inputted at any time into any selected one of said computer terminals and are transmitted immediately after being inputted to remaining ones of said computer terminals for display on respective ones of said display devices associated with said remaining ones of said computer terminals and wherein

the vehicular financial data units are inputted into at least a responding one of said remaining ones of said computer terminals in response to the vehicular characteristics data units displayed on said display device of said at least responding one of said remaining ones of said computer terminals and are transmitted immediately after being inputted to said selected one of said computer terminals for display on said display device associated with said selected one of said computer terminals.

17. A vehicular data exchange system according to claim 16, wherein the vehicular characteristics data units are inputted and transmitted by an inquiring human operator and wherein the vehicular financial data units are inputted and transmitted by a responding human operator.

18. A vehicular data exchange system according to claim 17, wherein the vehicular characteristics data units are transmitted at discretion of the inquiring human operator.

19. A vehicular data exchange system according to claim 16, wherein the vehicular characteristics data units are simultaneously displayed on said display device of said selected one of said computer terminals with the vehicular financial data units after the vehicular financial data units are transmitted to said selected one of said computer terminals.

20. A vehicular data exchange system according to claim 16, wherein the vehicular financial data units include an identity of a responding vehicle dealership.

21. A vehicular data exchange system adapted for use to exchange vehicular data relating to a vehicle, comprising:

- a plurality of computer terminals, each of said computer terminals including an input device for inputting the vehicular data that includes vehicular characteristics data units and vehicular financial data units and a display device for visually displaying the vehicular data inputted into said plurality of computer terminals, each of said computer terminals operative to transmit to each other and receive from one another both the vehicular characteristics data units and the vehicular financial data units for display on respective display devices; and
- a processor in communication with the plurality of computer terminals for controlling the vehicular data wherein

the vehicular characteristics data units are inputted at any time by an inquiring human operator into characteristics data fields for display on said display device of any selected one of said computer terminals and are transmitted immediately after being inputted by the inquiring human operator to remaining ones of said computer terminals for display on respective ones of said display devices associated with said remaining ones of said computer terminals and wherein

the vehicular financial data units are inputted by a responding human operator into a financial data field for display on said display device of at least a responding one of said remaining ones of said computer terminals in response to the vehicular characteristics data units displayed in the characteristics data fields on said display device of said at least responding one of said remaining ones of said computer terminals and are transmitted immediately after being inputted by the responding human operator to said selected one of said computer terminals for display on said display device associated with said selected one of said computer terminals.

22. A vehicular data exchange system according to claim 21 wherein the vehicular characteristics data units and the vehicular financial data units are simultaneously displayed on said display device associated with said selected one of said computer terminals after the vehicular financial data units are transmitted.

* * * * *